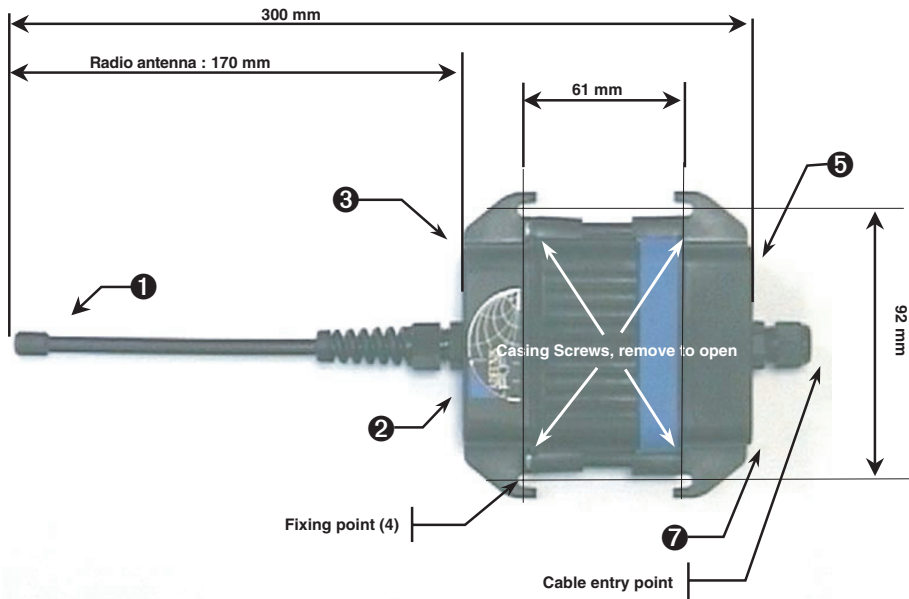
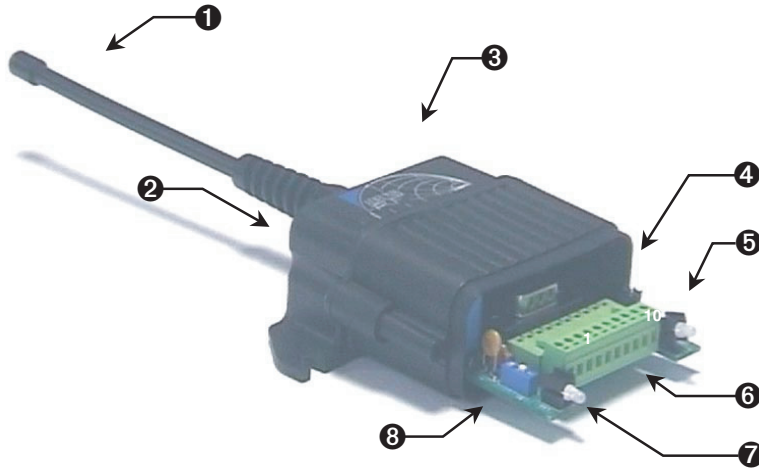


LHF42 Radio Receiver



- ❶ Radio antenna 433 Mhz
- ❷ Red LED (data reception)
- ❸ Green LED (radio signal reception)
- ❹ Configuration jumpers
- ❺ LED bicolour, channel 2
- ❻ Detachable 10 point screw terminal connector, ref J1.
- ❼ LED bicolour, channel 1
- ❽ Programming switch
On = Programming mode
(ECP use only)
1 = Operational mode



(Not to scale)

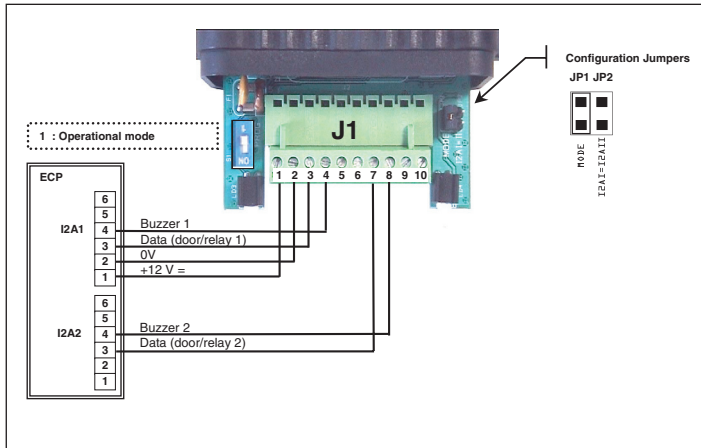
LHF42 Radio Receiver Specifications

Power supply:	12VDC regulated +/- 10%	Casing :	IP65 waterproof ABS.
Power consumption:	Standby < 100mA, Maximum < 120mA	Connection cable:	CAT5E maximum 50 metres from ECP unit.
Operating Temperature:	- 20° C to + - 70° C	Transmission range:	50 metres open space, no obstructions.
Fixing position:	Wallmount	Reception frequency:	433.92Mhz, ASK.
Visual indicators:	4no LED's	Dimensions:	L=104mm H=300mm (inc antenna 170mm) D=35mm
Audible indicators:	2no buzzers	Weight:	146g
CE Norms:	EN50082/EN55022 Class B. EN300220-1, EN301489-3.		
Connectors:	Terminal block, 10 screw terminals, detachable. Maximum cable diameter 2.5mm.		

Notes:

Transmitter TELBIPHF42 requires a 3V Lithium 170mAh battery, model reference CR025. Estimated lifecycle of battery based on 4n° 5 second usages per day is 2 years.

Tel: 01442 211848 Fax: 01442 212776 sales@nacd.co.uk



Terminal connections LHF42 in conjunction with ECP Door Controllers

J1 on LHF42 radio receiver.

- 1 = 12V+ → 1 of I2A1 of ECP190/290 Door Controller
- 2 = 0V → 2 of I2A1 of ECP190/290 Door Controller
- 3 = Data (door/relay 1) → 3 of I2A1 of ECP190/290 Door Controller
- 4 = Buzzer 1 → 4 of I2A1 of ECP190/290 Door Controller
- 5 = Ignore UK
- 6 = Ignore UK
- 7 = Data (door/relay 2) → 3 of I2A2 of ECP290 Door Controller
- 8 = Buzzer 2 → 4 of I2A2 of ECP290 Door Controller
- 9 = Ignore UK
- 10 = Ignore UK

Terminal connections LHF42 in conjunction with TVTEL®

J1 on LHF42 radio receiver.

- 1 = 12V+ → TVTEL 2K, terminal 1 of JP8.
- 2 = 0V → TVTEL 240, PB, terminal 1 of JP7.
- 3 = Data → TVTEL 2K, terminal 3 of JP8.
- 4 = Buzzer 1 → TVTEL 240, PB, terminal 3 of JP7.
- 5 = Ignore UK
- 6 = Ignore UK
- 7 = Ignore UK
- 8 = Ignore UK
- 9 = Ignore UK
- 10 = Ignore UK

JP8 of TVTEL 2K. JP7 of TVTEL 240, PB.

- 1 = 12V+ → 1 of J1 / LHF42 radio receiver
- 2 = 0V → 2 of J1 / LHF42 radio receiver
- 3 = Data → 3 of J1 / LHF42 radio receiver
- 4 = Buzzer 1 → 4 of J1 / LHF42 radio receiver

Configuration of Jumpers JP1 & JP2 on LHF42 Radio Receiver for TVTEL® Operation.

Always set the jumpers as follows:

JP1	Jumper OFF
JP2	Jumper ON

Note: Only change jumper settings with the power OFF. Then turn the power back on for the configurations to take effect.

Programming Switch – Ignore when using with TVTEL®. Must always be in 1 position.

I2A1 + I2A2 on ECP290 Door Controller.

I2A1

- 1 = 12V+ → 1 of J1 / LHF42 radio receiver
- 2 = 0V → 2 of J1 / LHF42 radio receiver
- 3 = Data (door/relay 1) → 3 of J1 / LHF42 radio receiver
- 4 = Buzzer 1 → 4 of J1 / LHF42 radio receiver
- 5 = Ignore UK
- 6 = Ignore UK

I2A2

- 1 = Ignore UK
- 2 = Ignore UK
- 3 = Data (door/relay 2) → 7 of J1 / LHF42 radio receiver
- 4 = Buzzer 2 → 8 of J1 / LHF42 radio receiver
- 5 = Ignore UK
- 6 = Ignore UK

I2A1 on ECP190 Door Controller.

- 1 = 12V+ → 1 of J1 / LHF42 radio receiver
- 2 = 0V → 2 of J1 / LHF42 radio receiver
- 3 = Data (door/relay 1) → 3 of J1 / LHF42 radio receiver
- 4 = Buzzer 1 → 4 of J1 / LHF42 radio receiver
- 5 = Ignore UK
- 6 = Ignore UK

Configuration of Jumpers JP1 & JP2 on LHF42 Radio Receiver for ECP Operation.

The TELBIPHF42 radio transmitter has 2no buttons.

ECP290	Button 1 triggers relay 1. Button 2 triggers relay 2.	JP1 = Jumper OFF JP2 = Jumper OFF
ECP290	Button 1 and Button 2 trigger relay 1 and relay 2 simultaneously.	JP1 = Jumper OFF JP2 = Jumper ON

Note: Only change jumper settings with the power OFF. Then turn the power back on for the configurations to take effect.