

I4GDATA10-UK BATICONNECT 4G DATA DOOR MODEM

SAFE CALLER "DIAL TO OPEN DOOR" MANUAL



REAL TIME

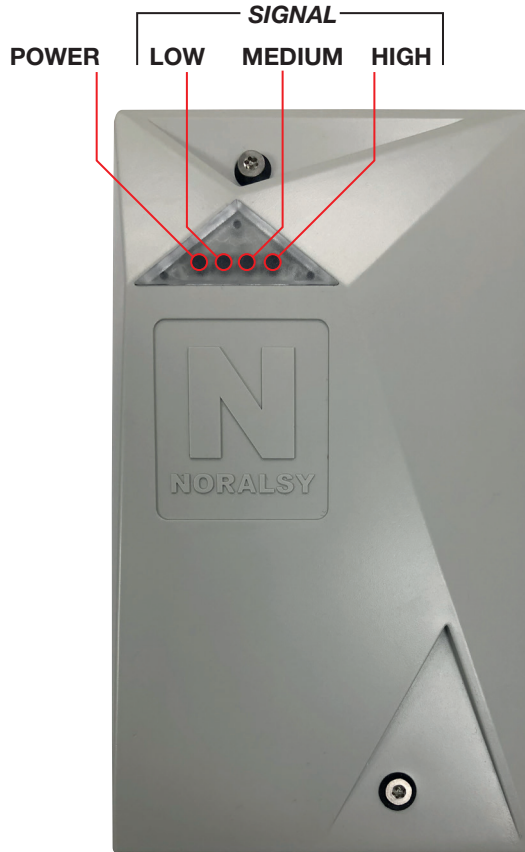


Anti-clone
Guarantee

Secured by Design



Police Preferred Specification



KEY FEATURES...

- 10 Years BATICONNECT CLOUD Service, unlimited programming.
- SAFE CALLER DIAL TO OPEN DOOR OPENING FEATURE
- Manage the access for all your buildings via BATICONNECT.COM
- Create Access Profiles to secure your buildings based on door access rights, time/day/date validity periods etc.
- Full audit trail available in real-time and via data download.

SPECIFICATIONS	I4GDATA10-UK
MECHANICAL CHARACTERISTICS	
Dimensions	164 mmH x 93 mmW x 52 mmD
Weight	350 g
Material	ABS
Fixings	Rear = M5 screws. Front = M3 security screws.
Protection rating	IK08 / IP65
ELECTRICAL CHARACTERISTICS	
Power	12 V DC
Consumption	3.5 A max
Relay	1 relay 5 Amp rated NO/NC programmable
Temperature	Operating -20°C to 55°C / Storage -20°C to 85°C
Bus capacity	Up to 4no proximity readers (EVE196-X3-RS) / devices
Time clock	Via BATICONNECT.COM
Programming	WWW.BATICONNECT.COM available 24/7/365 real time
Safe caller open	Phone call from SAFE telephone number to open door

SAFE CALLER "DIAL TO OPEN DOOR" FEATURE

You can now program the mobile telephone numbers of contractors, staff – anybody that you want to give access into a building – into the BATICONNECT DATA MODEM.

The BATICONNECT I4GDATA10-UK DOOR MODEM has "CALLER ID" verification and will only open the door if the incoming phone call is from a pre-authorized telephone number.

Connect onto BATICONNECT.COM, select the building entrance door or Vehicle Entrance etc and program in the name, descriptive and mobile telephone number of the contractor into the BATICONNECT DATA MODEM.

Now add the time zone, date period and even expiry date for the phone number entered.

Now give your contractor the telephone number of the BATICONNECT DATA MODEM, for example: 020-8455-2121.

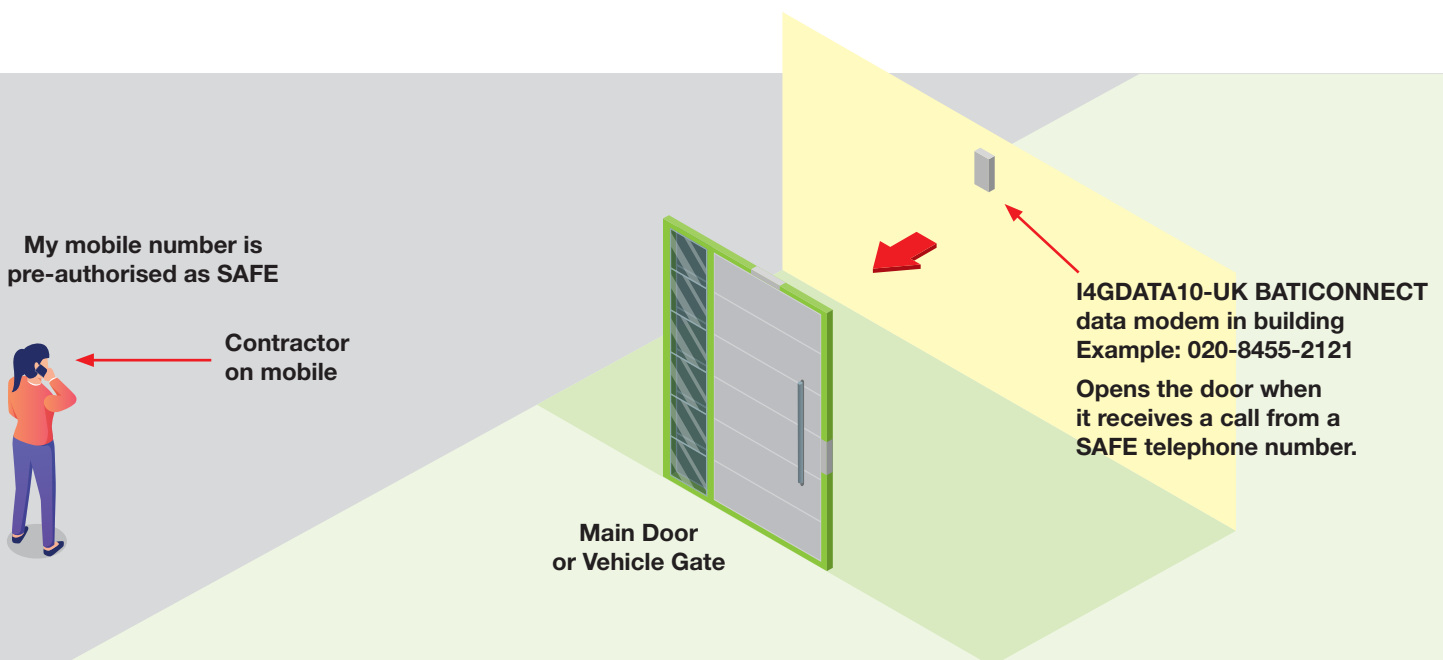
When they arrive on site, they can dial this telephone number (020-8455-2121) from their registered mobile phone (and because their mobile number is pre-authorized as "SAFE"), the BATICONNECT DATA MODEM will unlock the door(s) / gate(s).

A contractor, staff member, concierge, management can dial into any BATICONNECT DATA MODEM anywhere to open a door or gate – BUT ONLY if their landline or phone number has been:

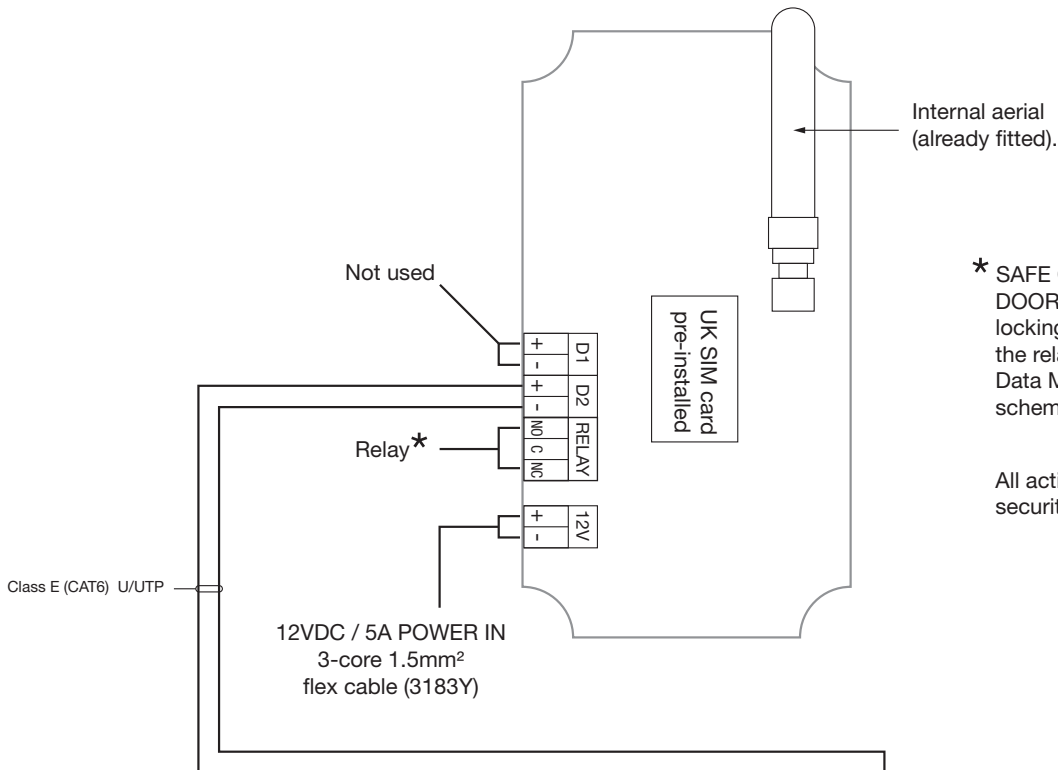
- pre-programmed into that Data Modem unit;
- they are calling within the correct time/date profile;
- they have not reached the expiry date.

This is also useful if a one-off third party is sent to a site and requires access – that person can be remotely granted access by an authorised person.

All events, door activations are logged on BATICONNECT – who called and when! Full audit trail available for viewing and download.

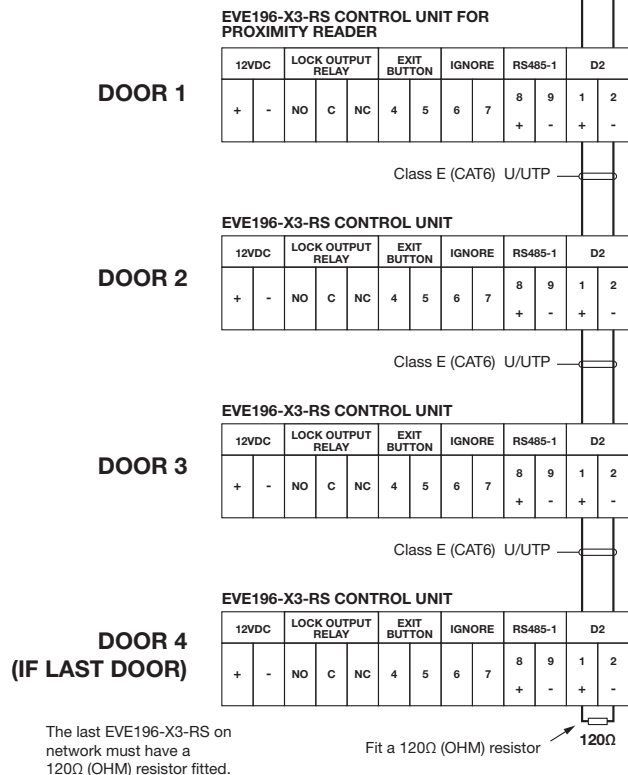


SAFE CALLER "DIAL TO OPEN DOOR" can also control any mix from 1–4 door(s) / gate(s) via EVE196-X3-RS door control units that are connected to the I4GDATA10-UK Data Modem.



* SAFE CALLER "DIAL TO OPEN DOOR" can control the electric locking on a door by activating the relay on the I4GDATA10-UK Data Modem. See cabling schematics A – D on page 4.

All activations are logged for your security on BATICONNECT.COM

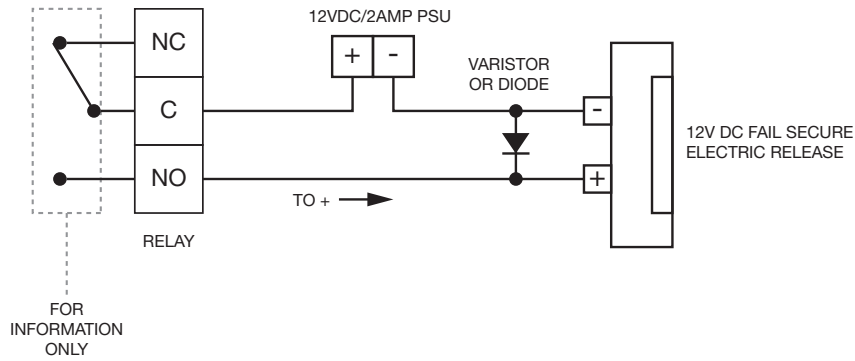


SAFE CALLER "DIAL TO OPEN DOOR" can control the electric locking on a door by activating the relay on EVE196-X3-RS door control units (that are connected to the I4GDATA10-UK Data Modem), any mix from 1 to 4 doors, per SAFE CALLER NUMBER – all configurations programmable 24/7/365 via the BATICONNECT.COM CLOUD portal.

Maximum of 10no EVE's / devices per I4GDATA10-UK Data Door Modem.

I4GDATA10-UK RELAY CONTROLLING FAIL SECURE LOCKING

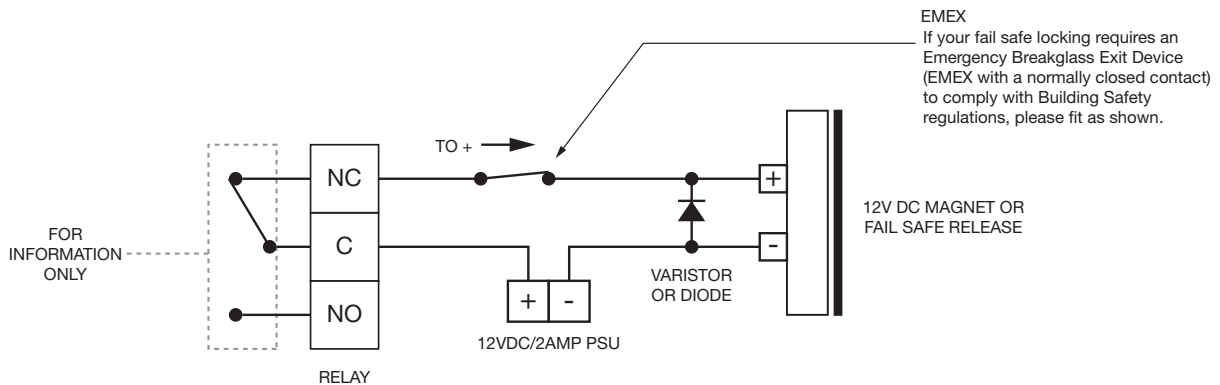
Only used if existing door entry / access control locking control is not used or there is none.



A

I4GDATA10-UK RELAY CONTROLLING FAIL SAFE LOCKING

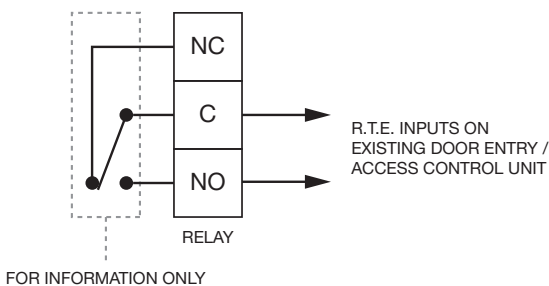
Only used if existing door entry / access control locking control is not used or there is none.



B

I4GDATA10-UK VOLT-FREE RELAY FOR UNLOCKING

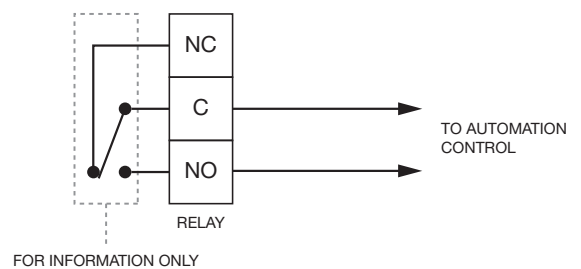
Relay used as a volt-free to trigger the existing door entry / access control on a block entrance door to unlock the door.



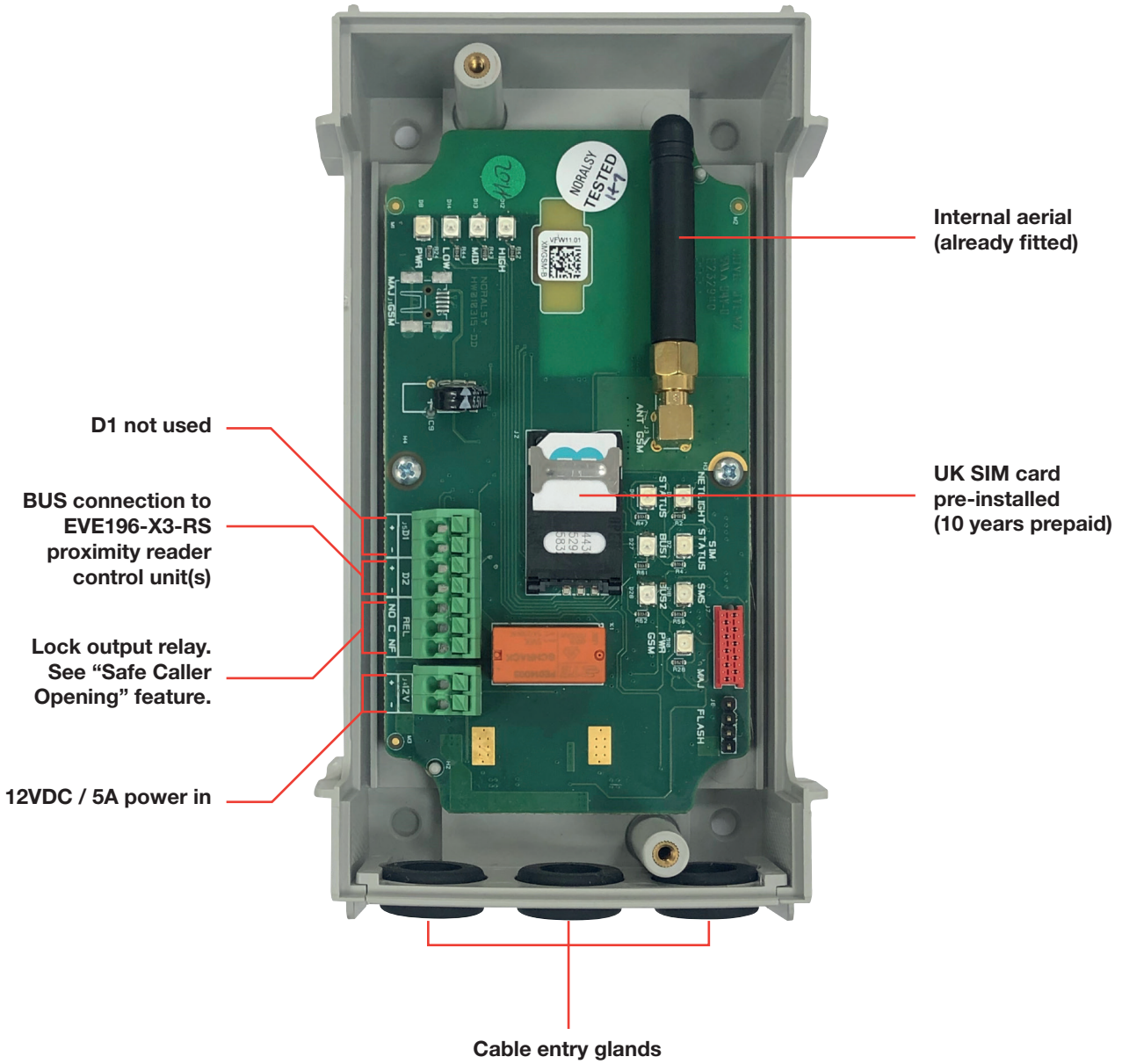
C

I4GDATA10-UK VOLT-FREE RELAY FOR AUTOMATION

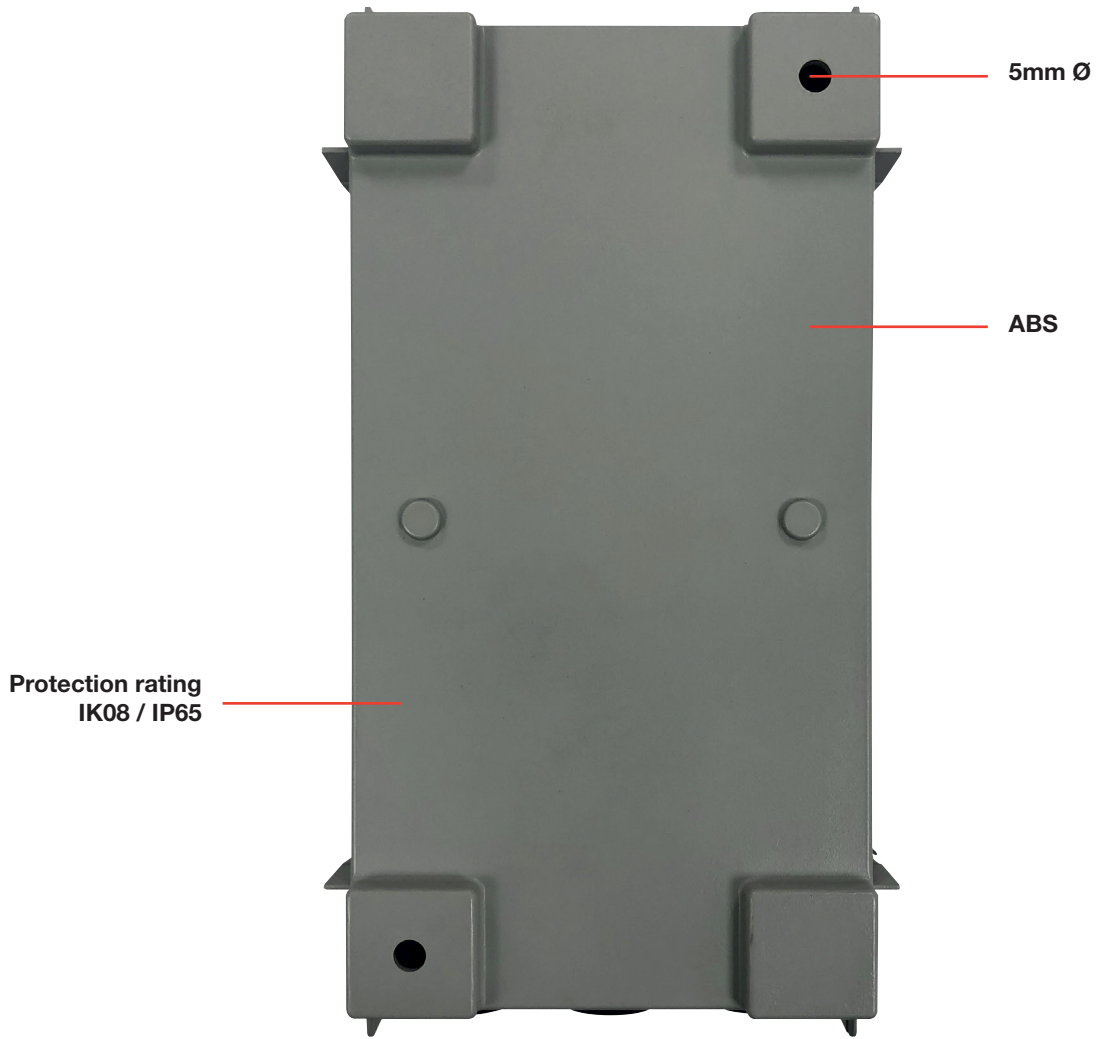
Relay used as a volt-free to trigger existing automation.



D



REAR VIEW



Dimensions: 164mmH x 93mmW x 52mmD

PROXIMITY READERS

PX11-MK1G-BSS



internal, flush

PX11-1GF



flush, s.steel

PX11-1GS



surface, s.steel, externally rated

PX11-125F

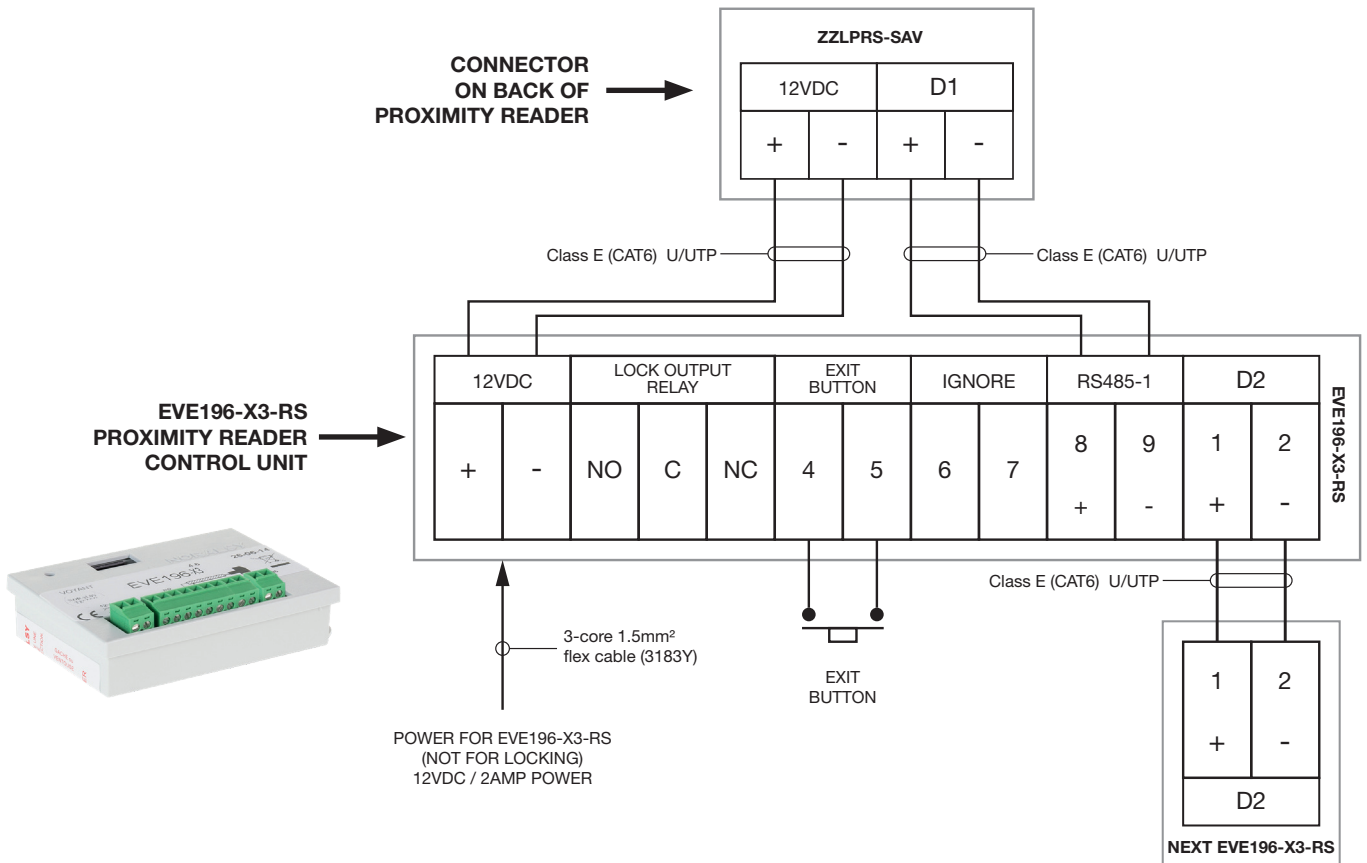


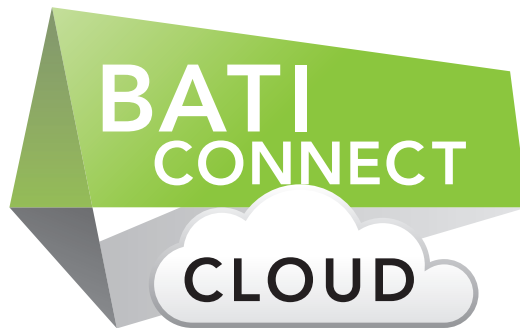
flush flanged, s.steel, externally rated

LPTRS



for lifts





24/7/365

www.baticonnect.com



ACCESS ■ COMMUNICATIONS ■ CCTV

+44 (0)1442 211848
estimating@nacd.co.uk

www.nacd.co.uk
f in nacdltd

Unit 8, Heron Business Park, Eastman Way,
Hemel Hempstead, Hertfordshire, HP2 7FW

Secured by Design



Police Preferred Specification

