

To assist in minimising risk of illegitimate activation from the public side.

CONCEALED BUTTON



EXP-AVS

EXTRA DEEP S.STEEL SHROUD HOUSINGS



EXP-MUSH-1HSD



Green LEDs illuminate the unit.



EM24EX + 1FL



Prevent breach of a bike cage or pedestrian/vehicle gate using arms, sticks etc by designing it with security in mind. These housings and associated bracketry are to help overcome shortcomings in the cage/gate design.

 **MAX 1 METRE DISTANCE AT MAX 1 METRE HEIGHT AFFL FROM DOOR PULL/PUSH HANDLE.**

EXP-AVF Exit button, Protected, flush flanged s.steel anti-vandal, externally rated.

Q N° 080

The purpose is to minimise risk of unauthorised activation from the public side.



EXP-AVF



Green LEDs illuminate the unit.



30mm diameter s.steel DP button.

Dimensions

Flange: 195mmH x 145mmW

Backbox: 168mmH x 120mmW x 80mmD

NOTES

THIS IS NOT A LIFE SAFETY DEVICE.

EXP-AVF

BS316 grade s.steel flush flanged externally rated anti-vandal panel with integral concealed 30mm diameter s.steel anti-vandal double pole button (P.T.M. and P.T.B. momentary contacts). Designed to minimise risk of unauthorised activation from the public side. Green LED's illuminate the unit to assist usage at night.



EXP-AVS Exit button, Protected, surface s.steel anti-vandal, externally rated.

Q N° 082

The purpose is to minimise risk of unauthorised activation from the public side.



EXP-AVS



**MAX 1 METRE DISTANCE AT
MAX 1 METRE HEIGHT AFFL FROM
DOOR PULL/PUSH HANDLE.**



Green LEDs
illuminate the unit.



30mm diameter
s.steel DP button.

Dimensions

158mmH x 108mmW x 73mmD

NOTES

THIS IS NOT A LIFE SAFETY DEVICE.

EXP-AVS

BS316 grade s.steel surface externally rated anti-vandal panel with integral concealed 30mm diameter s.steel anti-vandal double pole button (P.T.M. and P.T.B. momentary contacts). Designed to minimise risk of unauthorised activation from the public side. Green LED's illuminate the unit to assist usage at night.



EXP-AVHS Exit button, Protected, hooded surface s.steel anti-vandal, externally rated.

Q N° 084

The purpose is to minimise risk of unauthorised activation from the public side.



EXP-AVHS

Hooded surface (HS) housings are designed for mounting onto the NACD range of car, lorry, van and, car/lorry dual height posts.



Green LEDs illuminate the unit.



30mm diameter s.steel DP button.

Dimensions

150mmH x 108mmW x 73mmD (bottom) x 100mmD (top)

NOTES

THIS IS NOT A LIFE SAFETY DEVICE.

EXP-AVHS

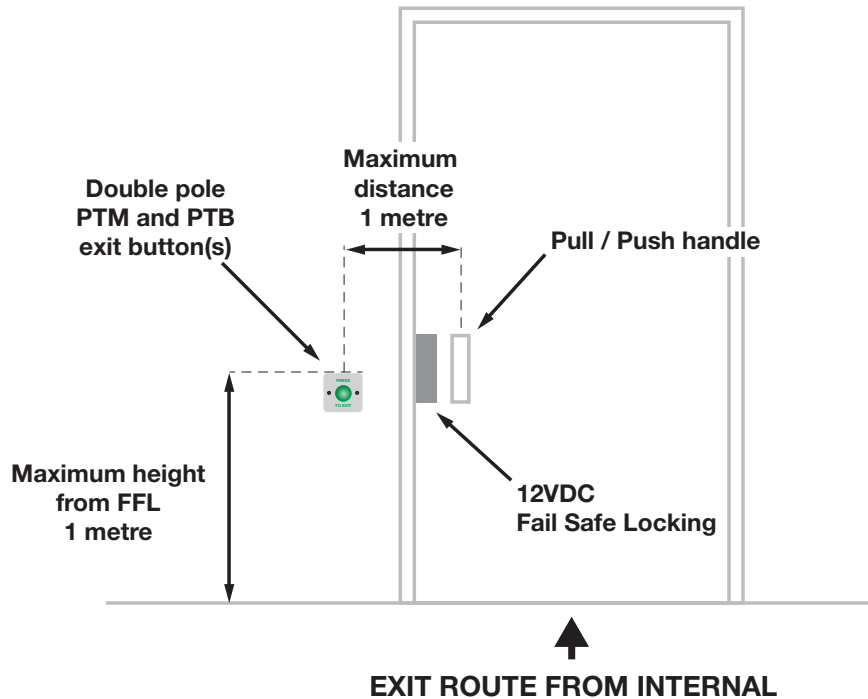
BS316 grade s.steel hooded surface externally rated anti-vandal panel with integral concealed 30mm diameter s.steel anti-vandal double pole button (P.T.M. and P.T.B. momentary contacts). Designed to minimise risk of unauthorised activation from the public side. Green LED's illuminate the unit to assist usage at night.



IMPORTANT HEALTH & SAFETY: DOUBLE POLE EXIT BUTTON POSITION

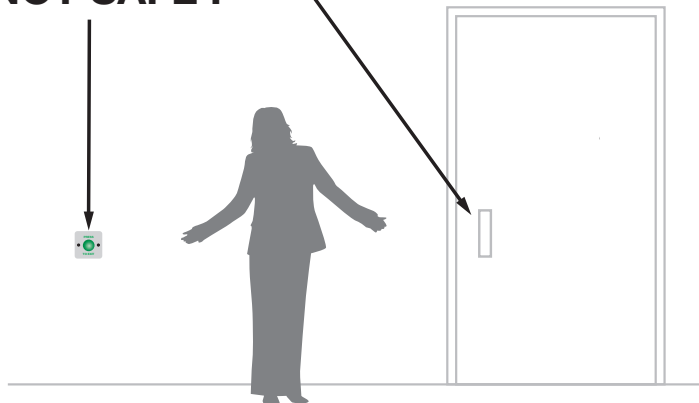
T N° 053/1

**HEALTH & SAFETY! THINK SAFETY, THINK FIRE, THINK EMERGENCY EXIT.
PEOPLE'S LIVES DEPEND ON A CORRECT INSTALLATION.**



HEALTH & SAFETY WARNING

NOT SAFE !



If a person cannot reach the exit button AND the door handle at the same time, the safety PTB poles of the button are USELESS. The installation is unsafe and dangerous.

**REPORT
NON-COMPLIANT
INSTALLATIONS
IMMEDIATELY.
PEOPLE'S LIVES
DEPEND ON IT!**

ALL INSTALLATIONS MUST COMPLY WITH BUILDING CONTROL REGULATIONS



MAX 1 METRE DISTANCE AT MAX 1 METRE HEIGHT AFFL FROM DOOR PULL/PUSH HANDLE.

DOUBLE POLE EXIT BUTTON

T N° 053/2

**HEALTH & SAFETY! THINK SAFETY, THINK FIRE, THINK EMERGENCY EXIT.
PEOPLE'S LIVES DEPEND ON A CORRECT INSTALLATION.**

ALWAYS CHECK THAT BOTH POLES HAVE BEEN USED AND THAT WHEN THE BUTTON IS PUSHED AND HELD DOWN THE DOOR STAYS UNLOCKED AND DOES NOT RE-LOCK.

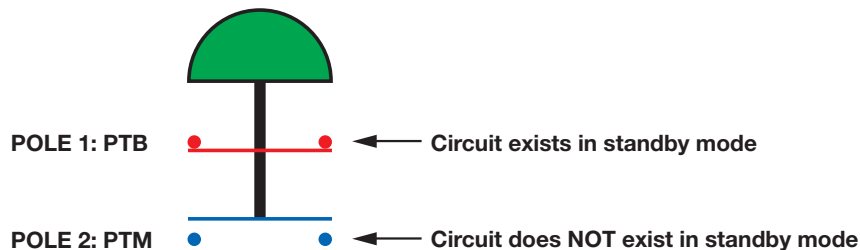
PTB = PUSH TO BREAK

When the button is pressed the lock cable circuit is broken. No power gets to the FAIL SAFE locking device. The locking FAILS in the safe / unlocked mode so people can get out of the building. Whilst the button is held pressed in the door locking remains in the unlocked mode. The PTB part of the button creates a mechanical break in the lock cabling circuit and is for **SAFETY**.

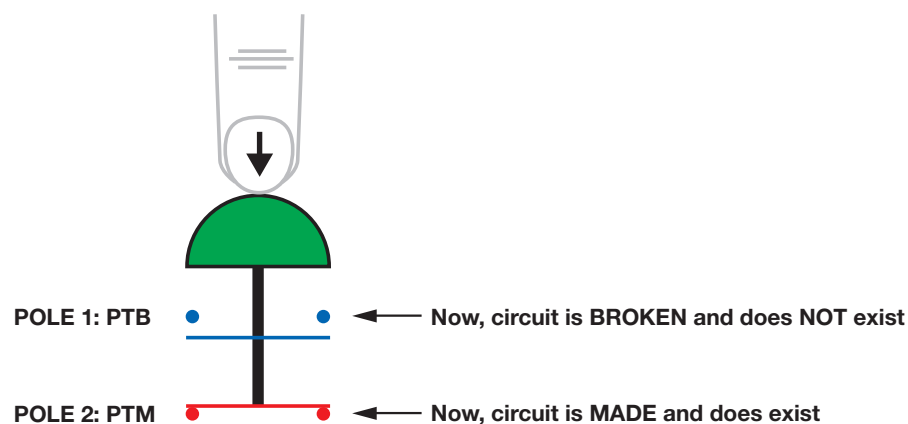
PTM = PUSH TO MAKE

When the button is pressed a signal is sent to the door controller to open the door for a pre-programmed length of time for the comfort of the resident. The PTM part of the button is a **CONVENIENCE** device only.

STANDBY MODE



PRESS THE BUTTON



WARNING

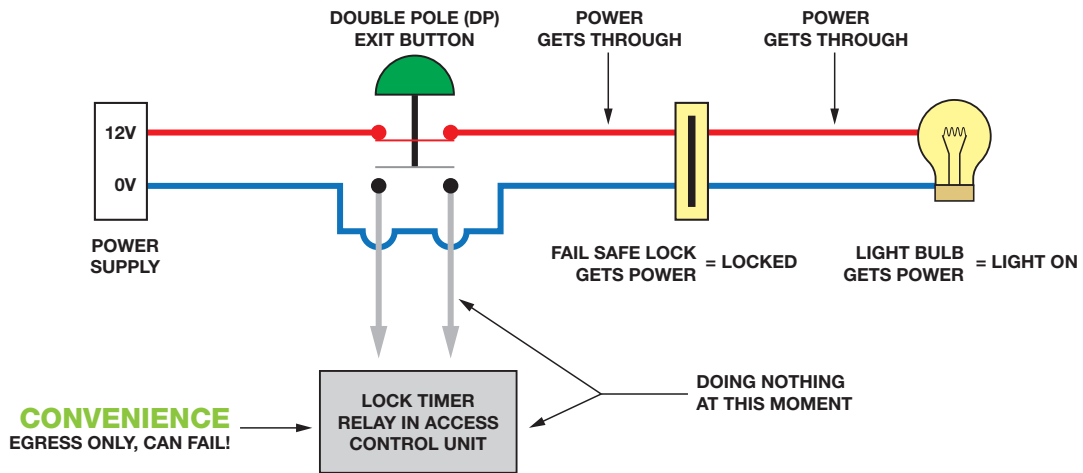
Must be fitted within 1 metre maximum distance of the relevant door exit pull/push handle at a maximum height of 1 metre from FFL.

EX-EP Exit button (DP) with yellow ring, illumination and engraving

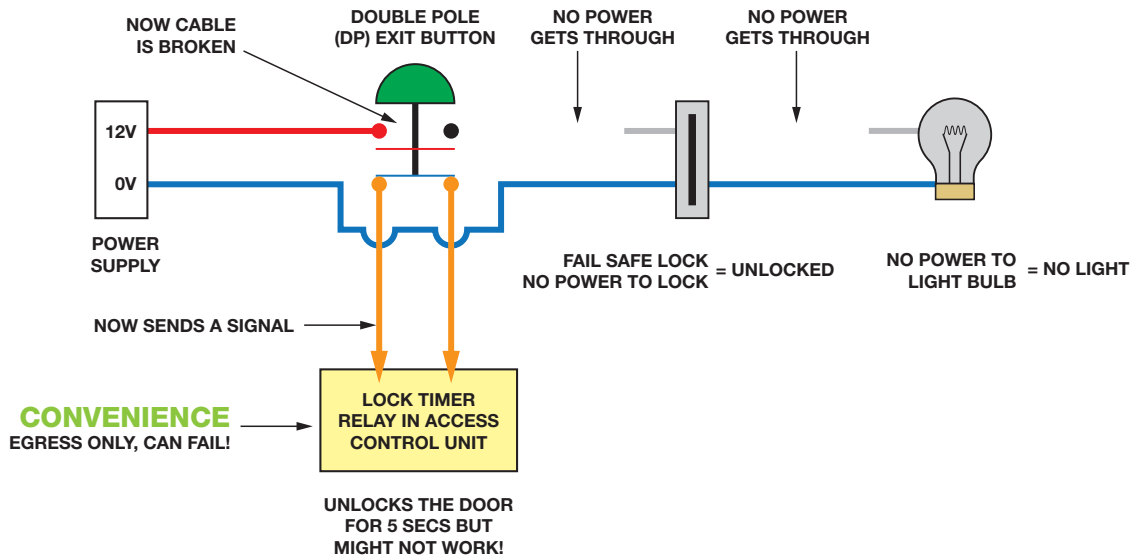
Q N° 060-5

HOW DOES A DOUBLE POLE (DP) EXIT BUTTON WORK?

NORMAL MODE



PRESS IN THE BUTTON TO EXIT



Are you sure the Exit button fitted is Double Pole?

Press the button in and check that the door stays unlocked and does not relock whilst you have your finger on the button.