

**THE DISABILITIES THAT MUST BE ADDRESSED ARE:**



Hearing problems



Visual problems



Wheelchair users



Elderly, mobility problems



Arthritic

**Always think LIFE SAFETY!**

What if it was my child or elderly parent needing to escape in an emergency ?

**And what about these people?**

Have **reasonable** features been provided to make it easy for them to use the Egress, Access & Visitor Entry?

A person with: severe arthritis  
cerebral palsy  
one hand, one arm or one leg  
a broken arm or leg in plaster  
coordination problems  
no hands

A person: who has collapsed because of the smoke  
who is panicked  
using a walking stick for balance  
in a wheel chair

A person: visually impaired  
hearing impaired

A mother carrying a baby

An elderly frail person

A child



### **FAIL SECURE (POWER TO UNLOCK)**

It is a mandatory safety requirement for doors equipped with 12/24V FAIL SECURE electric locking (power to unlock) to have a mechanical door handle / thumb turn fitted to the door on the internal escape/exit side to override the electric locking.

### **FAIL SAFE (POWER TO LOCK)**

It is a mandatory safety requirement for doors equipped with 12/24V FAIL SAFE electric locking / magnets (power to lock) to have a green breakglass fitted adjacent to the door (unless there is a mechanical override).

When the breakglass is activated it always breaks the power to the electric locking so the fail safe locking FAILS unlocked.



**Any deviation from fitting a Green Breakglass can be dangerous – a matter of life and death.**

The installation must comply fully with Building Control regulations ([www.labc.co.uk](http://www.labc.co.uk)) for emergency safe egress and receive NHBC sign-off.

The emergency exit safety devices must be guaranteed to unlock the fire route escape doors meaning operate at all times, for ALL persons inside the building; residents, visitors and/or employees.



Hearing problems



Visual problems



Wheelchair users



Elderly, mobility problems

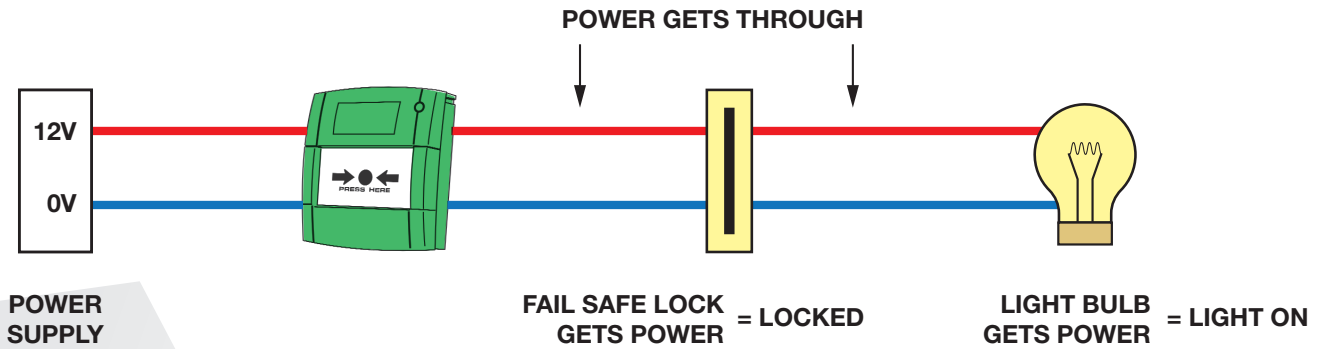


Arthritic

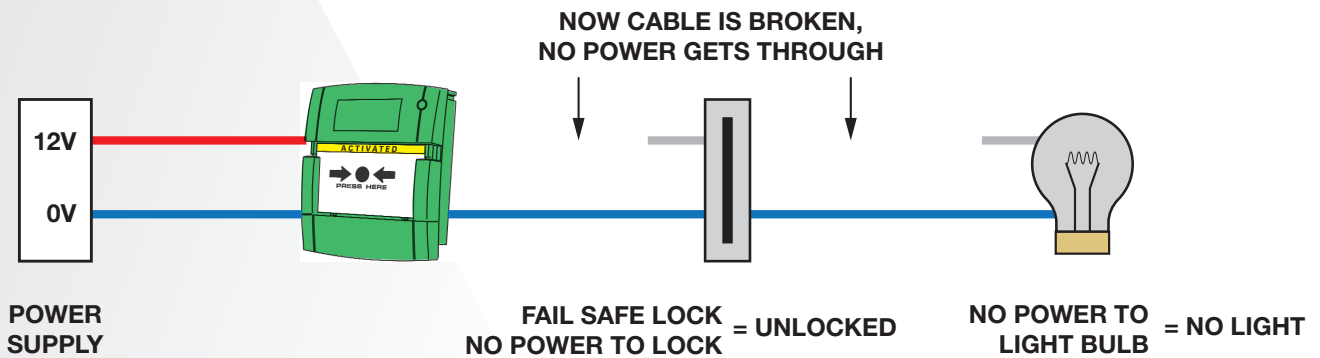
ALL persons includes the elderly, visually impaired, arthritic, weak, mobility impaired, the temporarily injured with loss of arm/hand/leg movement, amputees with only one arm, hearing impaired, children etc.

**THE EMERGENCY EXIT SAFETY DEVICES MUST BE EQUALITY ACT 2010 COMPLIANT.**

## NORMAL MODE



## ACTIVATED



Every time you check Life Safety,

Remember to Remember **NACD** where you learnt this!

**From:** Louis Taylor [mailto:LoTaylor@nhbc.co.uk]  
**Sent:** 30 June 2014 16:51  
**To:** Richard Collis  
**Subject:** RE: urgent question , need guidance ....Cycle stores locking.

Double pole (DP)  
Exit Button only  
is NOT permitted

Dear Richard,

Doors that require you to hold down a button whilst pushing a door would not be permitted as it's a requirement of both Part B (Fire Safety) and Part M (access – for the disabled) that the door is openable without having to manipulate more than one mechanism, using a clenched fist. This is so that persons with limitations with their hands/limbs only have to use one limb to open. If you thus need two hands to operate such devices they would not be permitted and should not thus be used. If you've any other queries regarding the above please feel free to get in touch.

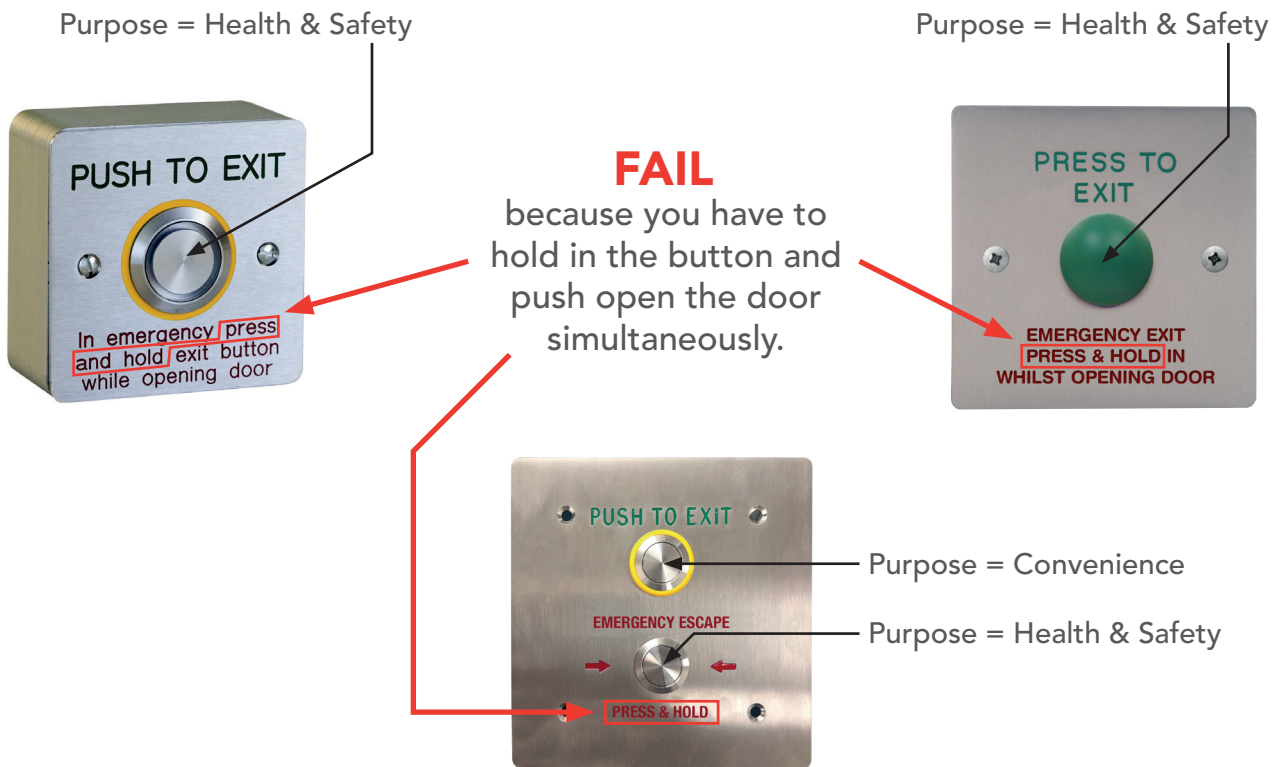
Kind regards  
Louis

Louis Taylor MRICS BEng(Hons) MSc MCABE C.Build E  
**Commercial Building Control Surveyor**  
Direct line: 0114 2864289  
email: [lotaylor@nhbc.co.uk](mailto:lotaylor@nhbc.co.uk)  
NHBC | NHBC House | Davy Avenue | Knowlhill | Milton Keynes | MK5 8FP  
Tel: 0844 633 1000 | Fax 0844 633 0022 | [www.nhbc.co.uk](http://www.nhbc.co.uk)

The Exit Button needs to be of sufficient diameter, or suitable shape to be depressed and released using a **clenched fist**.



**BUILDING REGULATIONS PART M (ACCESS), CLAUSE 4.30 AND PART B (FIRE SAFETY).**



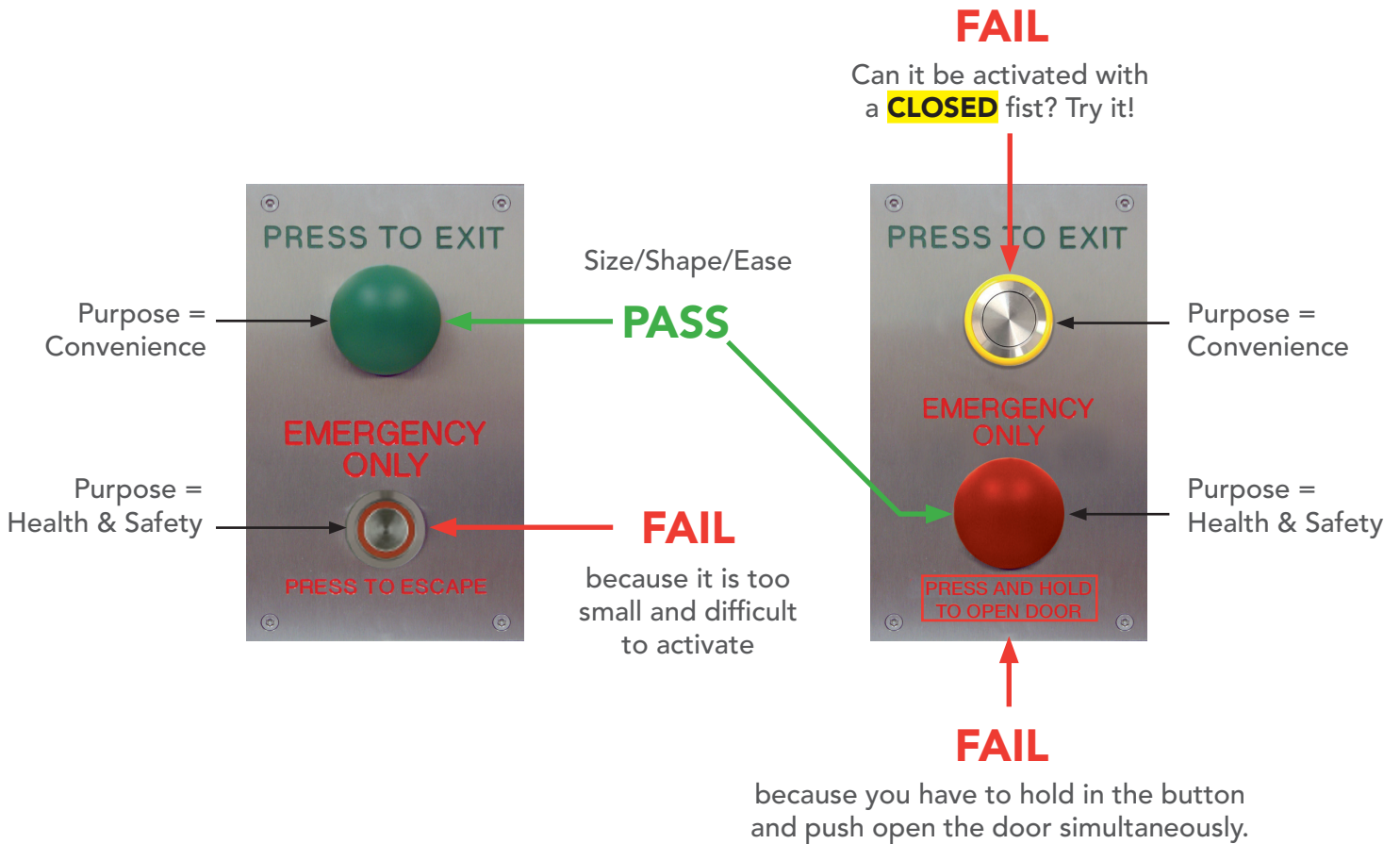
**“the operation of switches... does not require the simultaneous use of both hands”**

These people cannot **Press & Hold** the button and at the same time **Pull/Push** the door open:

- An arthritic person
- A person with cerebral palsy
- A person in a wheel chair
- A child
- An elderly frail person
- A mother carrying a baby
- A person using a walking stick for balance
- A person with one hand, one arm or one leg
- A person with a broken arm or leg in plaster
- A person with coordination problems
- A person who has collapsed because of the smoke

**CAN ONLY BE USED IN CONJUNCTION** with a Secondary Independent Emergency Door Release System. The builder/electrical contractor/security installer/management company need to check and ensure the installation complies fully with Building Control regulations ([www.labc.co.uk](http://www.labc.co.uk)) for emergency safe egress.

**BUILDING REGULATIONS PART M (ACCESS), CLAUSE 2.17C**



“can be operated with one hand using a **CLOSED/CLENCHED** fist”

These people cannot even **Press the exit or emergency exit button** if it is not of a suitable size and shape.

- An arthritic person
- A person with cerebral palsy
- A visually impaired person
- A person with no hands

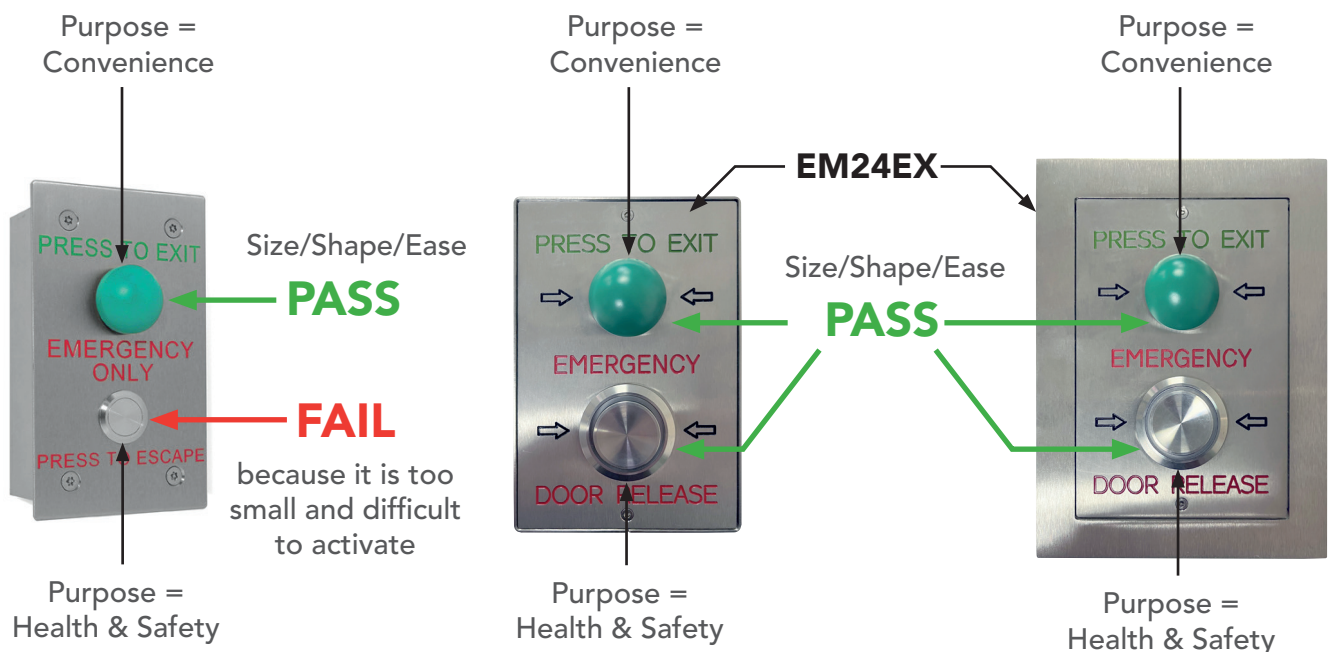
The intention here is that a person needing to **Press the Exit / Emergency Button** to escape can do so easily even using a closed fist, elbow, foot etc.

The buttons must be as visible and big as reasonably possible.

**BS5839-1 and Approved Document Part B of the Building regulations (Volume 2) clause 5.11.**

**Clause 4.30 of Part M (Access) of the Building Regulations, Section J: "the operation of switches, outlets and controls does not require the simultaneous use of both hands,..." and Part B (Fire Safety) state the obvious safety requirement:**

"Doors must be openable without having to manipulate more than one mechanism, **using a clenched fist...**"



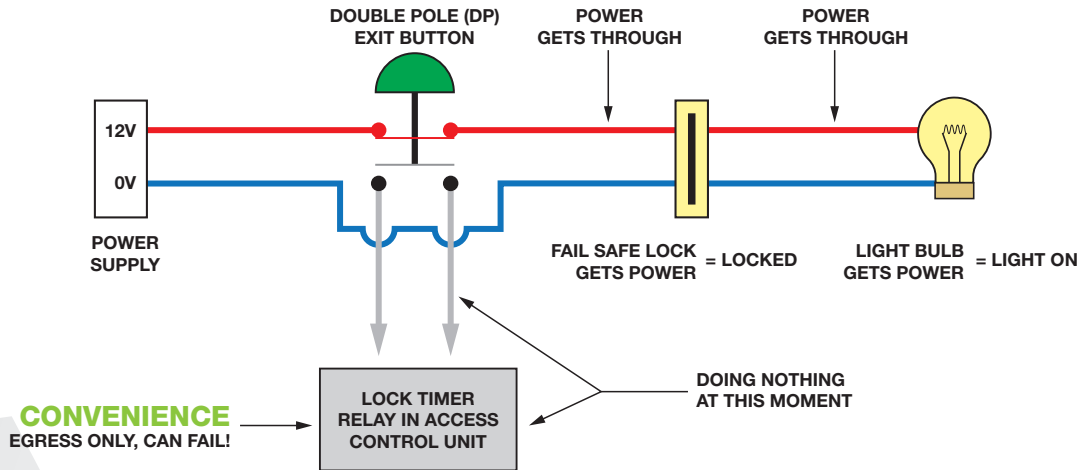
It is **NOT permitted** to have a system where the only emergency exiting procedure requires that the person **needs to hold in a button and at the same time pull/push the door** because many people (as explained earlier in this H&S document) will not be capable of doing this.

**The Emergency Exit Button must have a latching UNLOCK facility** so that when pressed momentarily which means - in the normal way so pressed and immediately released - the electric locking system on **the door latches unlocked for a minimum period of 3 minutes**. This means that (1) the person escaping does not need to operate two things at once (2) **a person who has collapsed due to smoke and crawled up to the door is not faced with a locked door.**

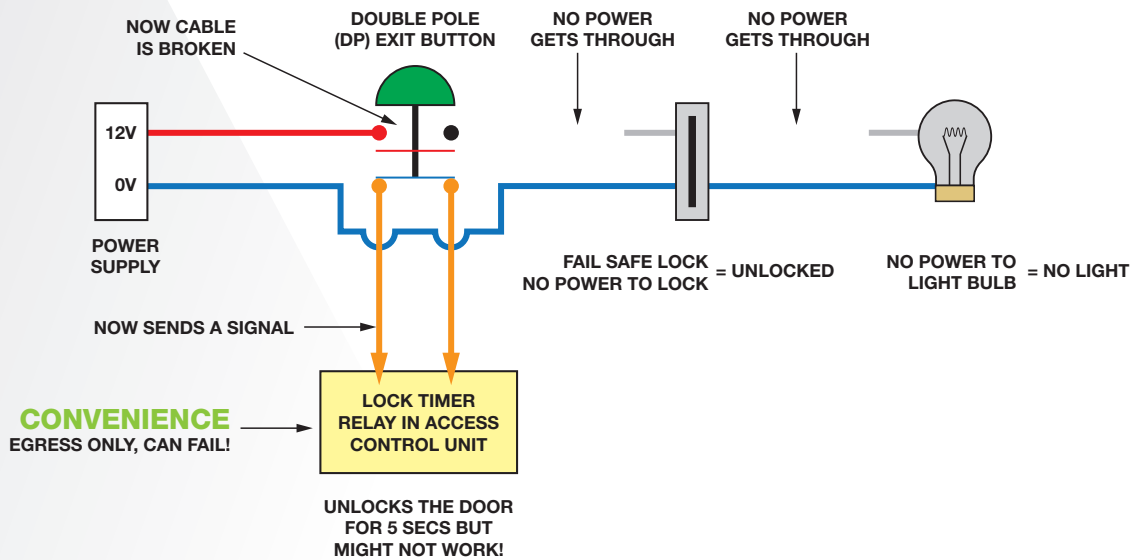
**Must be fitted within 1 metre maximum distance of the door exit pull/push handle at a maximum height of 1 metre AFFL.**



## NORMAL MODE



## PRESS IN THE BUTTON TO EXIT



### Are you sure the Exit button fitted is Double Pole?

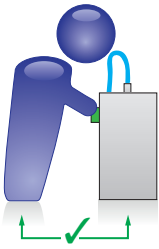
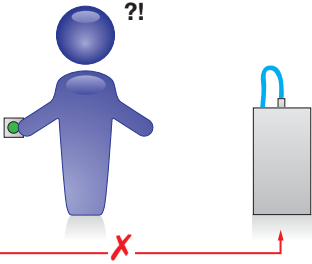
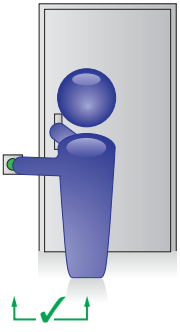
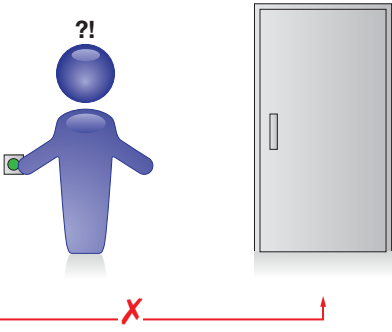
Press the button in and check that the door stays unlocked and does not relock whilst you have your finger on the button.



## CORRECT POSITIONING OF EXIT BUTTON IS VITAL

The PTB (Push to Break) contacts on the button break the lock power circuit (a health and safety feature) but only when the button is pressed in. The instant the button is released, the lock is immediately re-powered and the door immediately locks.

If the person cannot both press the button in and push or pull the door open at the same time, the installation is faulty and dangerous.

<p><b>1A CORRECT</b></p> <p>WATER FOUNTAIN</p>  <p>Water flows only when button depressed.</p>	<p><b>1B FAULTY &amp; DANGEROUS!</b></p> <p>WATER FOUNTAIN</p>  <p>Button is too far from the water fountain. The flow stops immediately button is released, person cannot drink.</p>
<p><b>2A CORRECT</b></p> <p>PRESS TO EXIT BUTTON</p>  <p>Door unlocks only when button is depressed.</p>	<p><b>2B FAULTY &amp; DANGEROUS!</b></p> <p>PRESS TO EXIT BUTTON</p>  <p>Button is too far from door. The door relocks immediately button is released, person cannot escape.</p>

### WARNING

Must be fitted within 1 metre maximum distance of the door exit pull/push handle at a maximum height of 1 metre from FFL.

Position carefully so that door does not open OVER the exit button(s).

**From:** Louis Taylor [mailto:LoTaylor@nhbc.co.uk]  
**Sent:** 01 July 2014 10:27  
**To:** Richard Collis  
**Subject:** RE: Thanks and more education pls

Confirmation, Exit Button location.

Dear Richard,

Manual call points are as below (BS5839-1) They should be located "adjacent" the door. I have been unable to find a specific maximum distance from the door.

h) Manual call points should be fixed at a height of 1.4 m above finished floor level, at easily accessible, well-illuminated and conspicuous positions free from potential obstruction. They should be sited against a contrasting background to assist in easy recognition. A lower mounting height is acceptable in circumstances where there is a high likelihood that the first person to raise an alarm of fire will be a wheelchair user.

NOTE 4 The figure of 1.4 m is arbitrary, but reflects long established custom and practice. A minor difference (e.g. less than 200 mm) in mounting height (e.g. to align with the mounting height of light switches) need not be regarded as significant, nor need it be recorded as a variation.

See 4.30 C & D

Also below is the requirement for door fastenings on escape route from Approved Document Part B of the Building Regulations (Volume 2):

#### Door fastenings

**5.11** In general, doors on escape routes (whether or not the doors are fire doors), should either not be fitted with lock, latch or bolt fastenings, or they should only be fitted with simple fastenings that can be readily operated from the side approached by people making an escape. The operation of these fastenings should be readily apparent; without the use of a key and without having to manipulate more than one mechanism. This is not intended to prevent doors being fitted with hardware to allow them to be locked when the rooms are empty. There may also be situations such as hotel bedrooms where locks may be fitted that are operated from the outside by a key and from the inside by a knob or lever, etc.

Where a door on an escape route has to be secured against entry when the building or part of the building is occupied, it should only be fitted with a lock or fastening which is readily operated, without a key, from the side approached by people making their escape. Similarly, where a

secure door is operated by a code, combination, swipe or proximity card, biometric data or similar means, it should also be capable of being overridden from the side approached by people making their escape.

Electrically powered locks should return to the unlocked position:

- on operation of the fire alarm system;
- on loss of power or system error;
- on activation of a manual door release unit (Type A) to BS EN 54-11:2001 positioned at the door on the side approached by people making their escape. Where the door provides escape in either direction, a unit should be installed on both sides of the door.

I enclose the clause 2.17 of Part M (Access) of the Building Regulations with requirements for door openings in buildings other than private dwellings:

c. where fitted with a latch, the door opening furniture can be operated with one hand using a closed fist, e.g. a lever handle;

The Exit Button needs to be of sufficient diameter, or suitable shape to be depressed using a closed fist.

**And 4.30:**

c. all switches and controls that require precise hand movements are located between 750mm and 1200mm above the floor;

d. simple push button controls that require limited dexterity, are not more than 1200mm above the floor;

j the operation of switches, outlets and controls does not require the simultaneous use of both hands, except where this mode of operation is necessary for safety reasons;

Double pole (DP) Exit Button only is NOT permitted

I hope the above makes the matter clear.

Kind regards

Louis

Louis Taylor MRICS BEng(Hons) MSc MCABE C.Build E

**Commercial Building Control Surveyor**

Direct line: 0114 2864289

email: [lotaylor@nhbc.co.uk](mailto:lotaylor@nhbc.co.uk)

NHBC | NHBC House | Davy Avenue | Knowlhill | Milton Keynes | MK5 8FP

Tel: 0844 633 1000 | Fax 0844 633 0022 | [www.nhbc.co.uk](http://www.nhbc.co.uk)



According to 4.30 J, a thumb-turn only is insufficient

**From:** Richard Collis [<mailto:rcollis@nacd.co.uk>]  
**Sent:** 01 July 2014 10:06  
**To:** Louis Taylor  
**Subject:** Thanks and more education pls

Thanks Louis, makes sense, interesting.

To confirm:

(1) A button that activates an electronic device via a signal to open the door (a convenience system) is unacceptable because the button/cabling/electronic device might fail. It makes no difference to building control if you double up on the buttons and controllers etc.

(2) A thumb-turn only on the inside of a door ref electrical access control / door entry systems should not be acceptable .... Part B (Fire Safety) and Part M (access – for the disabled).....because a person would need to turn this and then pull or push on the door at the same time. This would require 2no hands....and is very difficult for old people as the thumb turns are often very small and fiddly.

(3) A 2no button system where, in addition to the momentary contacts there are mechanical break contacts (PTB's) and where 1no of these buttons engraved Emergency also latches the door open so that a person can simply pull / push is acceptable.

(4) Is there a maximum distance, maximum height from the door for the exit button and breakglass.

Kind regards

Exit Button must be adjacent to the door

Exit Button Max 1.2m AFFL

Richard Collis 07802-980850 DDI 01442-221401 Web: [www.telephoneentry.co.uk](http://www.telephoneentry.co.uk) Email: [sales@nacd.co.uk](mailto:sales@nacd.co.uk)

NACD Ltd, Unit 8, Heron Business Park, Eastman Way, Hemel Hempstead, Herts HP2 7FW. Tel: 01442-211848 Fax: 01442-212776

This email, its content and any files transmitted with it are intended solely for the addressee(s) and may be legally privileged and/or confidential. If you are not the intended recipient, please delete and contact the sender on the telephone number +44-(0)1442-211848 or via email return. Unless expressly stated otherwise, and subject to the disclaimer below, this email does not form part of a legally binding contract or agreement between the recipient and NACD Ltd (registered no. 3212230). Messages sent via this medium may be subject to delays, non-delivery and unauthorized alteration. This email has been prepared using information believed by the author to be reliable and accurate, but NACD Ltd makes no warranty as to accuracy or completeness. In particular, NACD Ltd does not accept responsibility for changes made to this email after it was sent. Any opinions or recommendations expressed herein are solely those of the author.

Yes, because the back-up 2nd button, the Emergency Exit Button only needs to be pressed and released in order for the door to latch unlocked. Also refer to information on diameter/shape of Exit Button.

**From:** Louis Taylor [mailto:LoTaylor@nhbc.co.uk]  
**Sent:** 30 June 2014 16:51  
**To:** Richard Collis  
**Subject:** RE: urgent question , need guidance ....Cycle stores locking.

Double pole (DP)  
Exit Button only  
is NOT permitted

Dear Richard,

Doors that require you to hold down a button whilst pushing a door would not be permitted as it's a requirement of both Part B (Fire Safety) and Part M (access – for the disabled) that the door is openable without having to manipulate more than one mechanism, using a clenched fist. This is so that persons with limitations with their hands/limbs only have to use one limb to open. If you thus need two hands to operate such devices they would not be permitted and should not thus be used. If you've any other queries regarding the above please feel free to get in touch.

Kind regards  
Louis

Louis Taylor MRICS BEng(Hons) MSc MCABE C.Build E

**Commercial Building Control Surveyor**

Direct line: 0114 2864289

email: [lotaylor@nhbc.co.uk](mailto:lotaylor@nhbc.co.uk)

NHBC | NHBC House | Davy Avenue | Knowlhill | Milton Keynes | MK5 8FP

Tel: 0844 633 1000 | Fax 0844 633 0022 | [www.nhbc.co.uk](http://www.nhbc.co.uk)

The Exit Button needs to be of sufficient diameter, or suitable shape to be depressed and released using a **clenched fist**.





+44 (0)1442 211848  
estimating@nacd.co.uk

www.nacd.co.uk  
f in nacdltd

Unit 8, Heron Business Park, Eastman Way,  
Hemel Hempstead, Hertfordshire, HP2 7FW

