



If the builder has provided a fixing point the NPR must also be tethered / bolted to this.

There will be 1no Satellite Dish per Non-Penetrating Roof Mount (NPR).

There will be 1no antenna body housing TV/FM/DAB aerial reception fitted on the NPR (only on one of them).

The NPR mount stand to be weighted down using a minimum of 8no 450 mmL x 450 mmW x 32 mmD slabs each weighing approximately 15 kg.

Space to be provided by builder on roof per NPR = 1.1 m<sup>2</sup> (metres squared)

## Sarna and tarmac roofs

The NPR mount stand will be mounted on top of a rubber mat.

## Slabbed roofs

The NPR mount stand will be mounted on top of the slabs.

## Eco-Earth roofs

The earth will be levelled so as flat as possible.

The NPR mount stand will be mounted directly on top of the earth.

## Pebble roofs

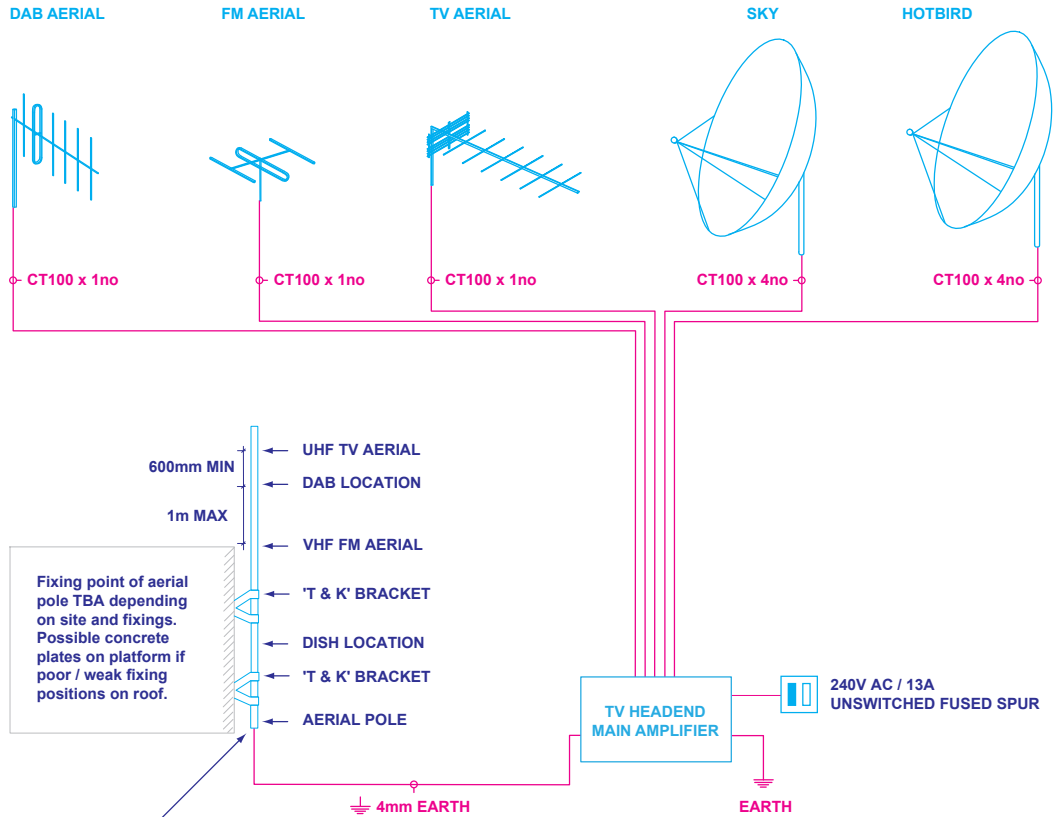
Site need to provide a pebble free area of 1.1 m<sup>2</sup> per NPR mount stand.

The NPR mount stand will then be mounted on top of a rubber mat which will be laid on top of the foam insulation above the concrete roof.

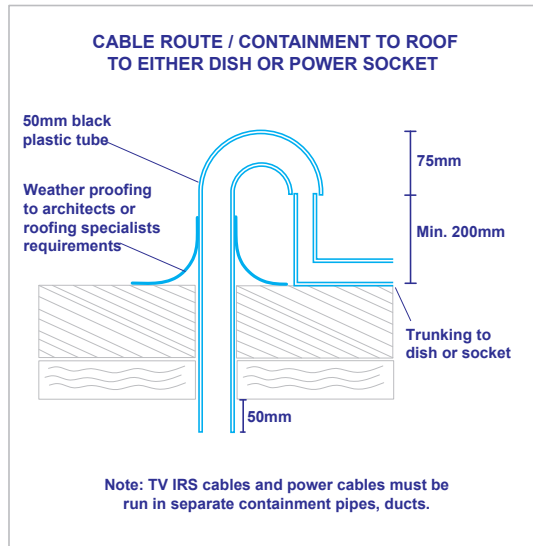
Site will then need to back fill over the top of slabs/ base of the NPR mount stand with their pebble finish.

**Grass and hardboard roofs are not suitable.**

T No. 17070



Requires bonding via 16mm<sup>2</sup> copper conductor to Lightning Protection System (LPS) if present. See Tn<sup>o</sup> 17110.

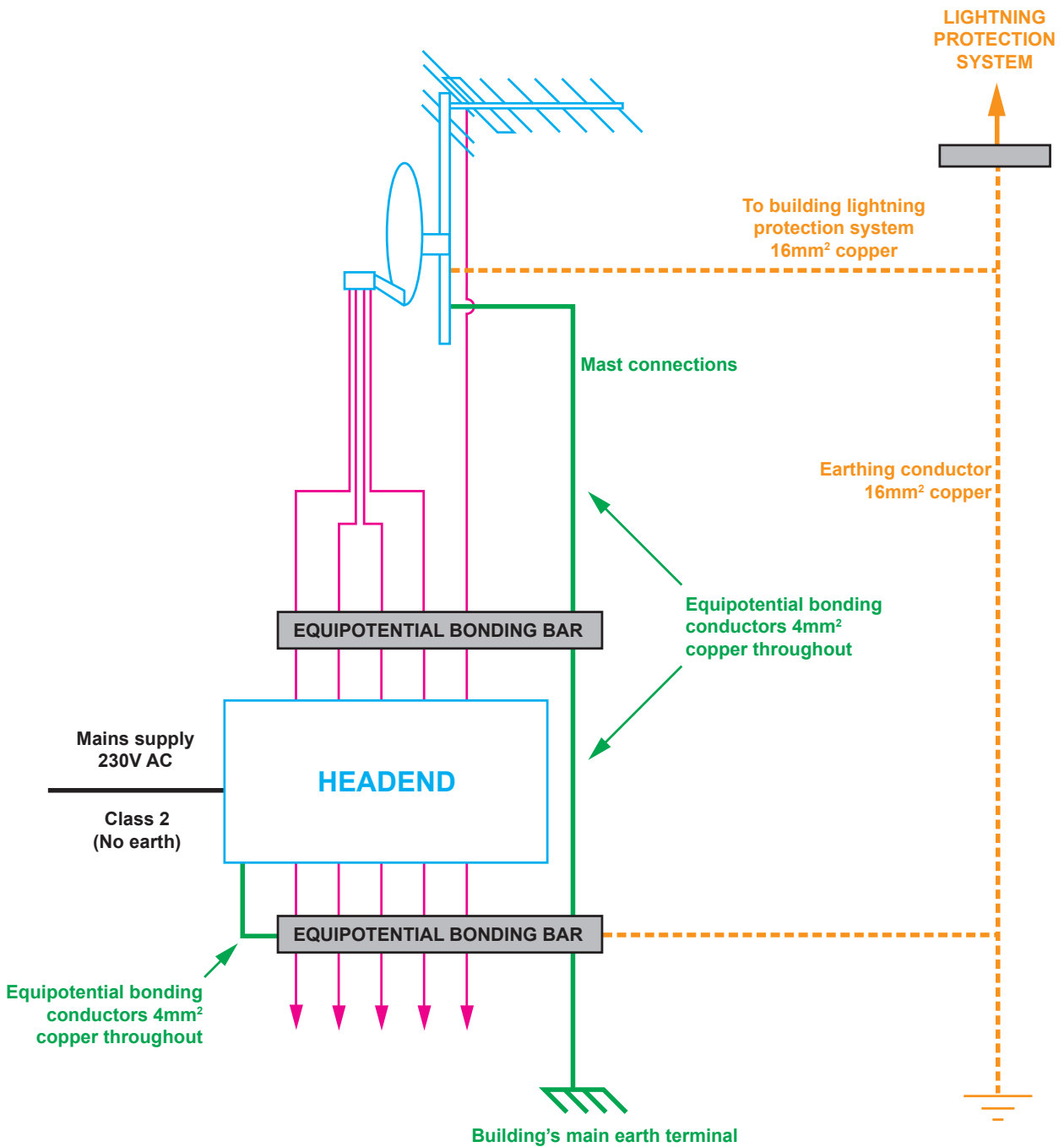


## ATTENTION

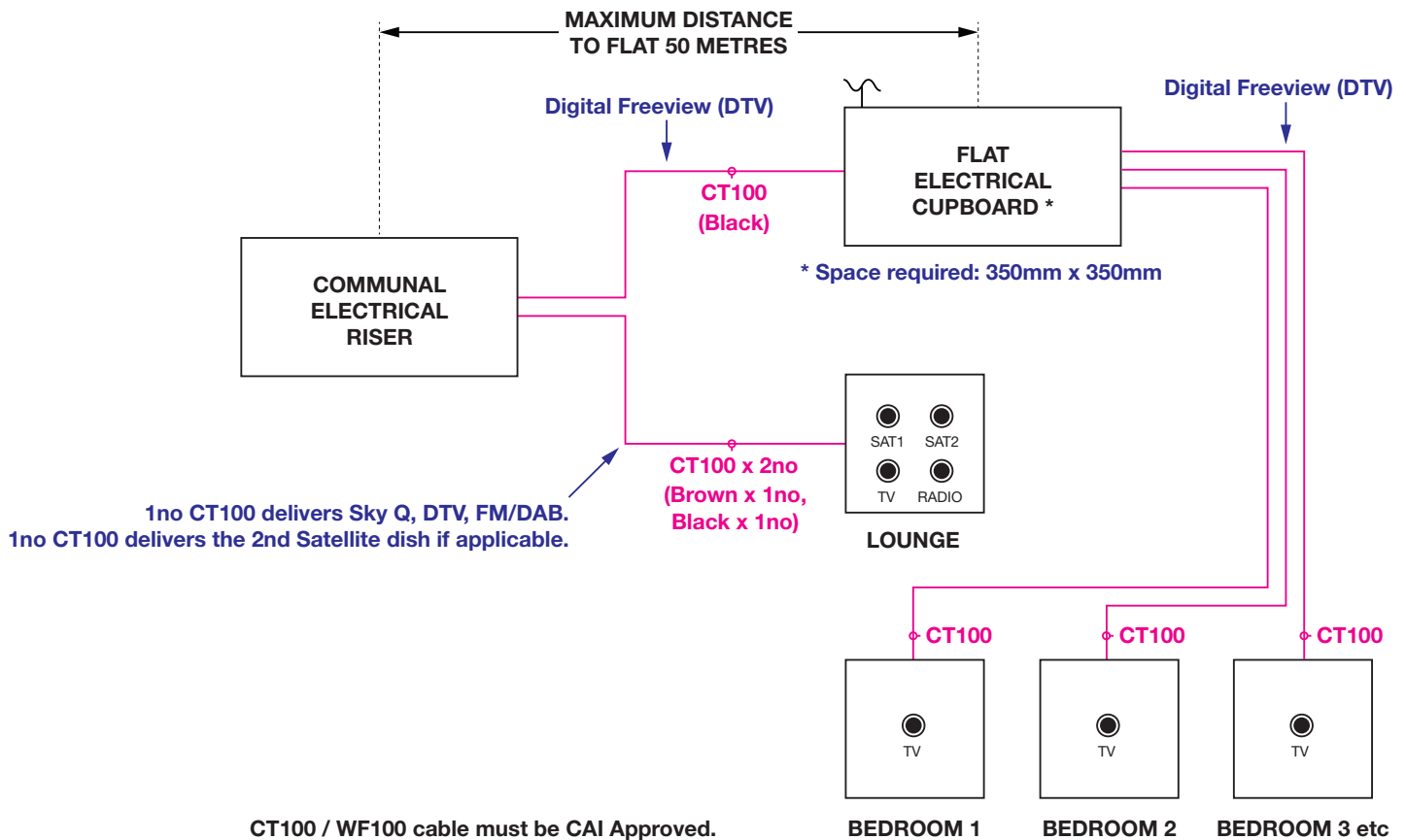
High Voltage Surge and/or Lightning Protection Devices (SPDs) may need to be installed at antenna [primary] level. The requirement / provision for SPD's must be confirmed in writing by qualified Lightning Protection Systems Consultants / Electrical Consultants appointed by the CDM Client (Construction, Design and Management) and then installed in compliance with all regulations by appropriately qualified electrical engineers. It is your responsibility to make sure you advise the Principal Contractor (PC) and comply with the instructions received from the appropriate sources – failure to do so may result in a breach of HSE directives. NACD Ltd & TV installation companies working with low voltage systems are not qualified to advise on this subject. Costings for these additional electrical protections are not included in our quotations.

**T No. 17110**

BS EN 60728 states that if a Lightning Protection System (LPS) is present, then the satellite dish and aerial array has to be bonded to it using 16mm<sup>2</sup> copper conductor.



T N<sup>o</sup>. 17008



Sky Q, DTV, FM/DAB to lounge, 2nd satellite (if applicable) to lounge TV plate only.

**Sky Q distributes throughout the flat using Sky Q's WIFI system.** This is HD quality. It is NOT related to the installation.

At the additional TV points:

Digital freeview channels (DTV) only.

**NOTES**

1. The Quad faceplate in lounge must be isolated version.
2. TV faceplate(s) in bedroom(s) must be isolated type.

Specification will state which flat tenure types are to receive (A) Sky Q only (B) Sky Q and the 2nd SAT dish.

3. Sky Q only, Triplex faceplate (isolated version) to be fitted in lounge.

4. If Sky Q only but a Quad faceplate has been fitted in lounge, Sky Q will be on SAT1 port.
5. If 2nd SAT dish (Hotbird or Turksat) installed must have Quadplate in lounge and will be on SAT 1 port. Sky Q will be on SAT2 port.

**ATTENTION**

Sky Plus is OBSOLETE.

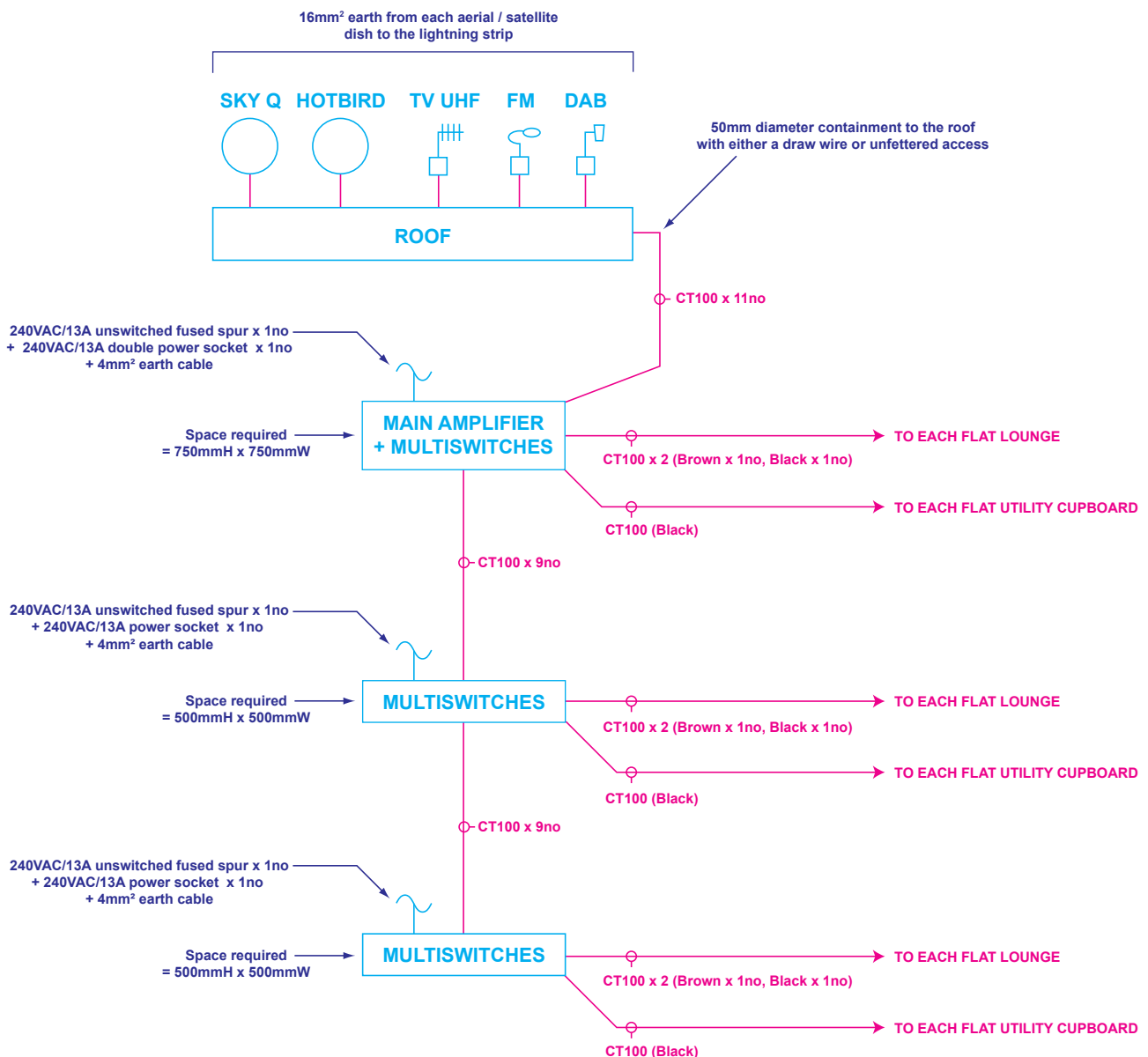
Modern televisions have digital tuners ONLY meaning analogue Sky playback from the lounge is OBSOLETE.

Resident can independently buy a Smart Splitter and connect a legacy Sky Plus box to the lounge quadplate for operation in the lounge ONLY.

T N<sup>o</sup>. 17202

Specification will state which flat tenure types are to receive (1) Sky Q only (2) Sky Q and the 2nd SAT dish.

**FOR BLOCKS UP TO 7no LEVELS**



**IMPORTANT**

Each multiswitch location (in the riser) will service 3 floors of flats.

Always leave sufficient slack on the cables from each flat to go up/down a minimum of 2no riser floor levels.

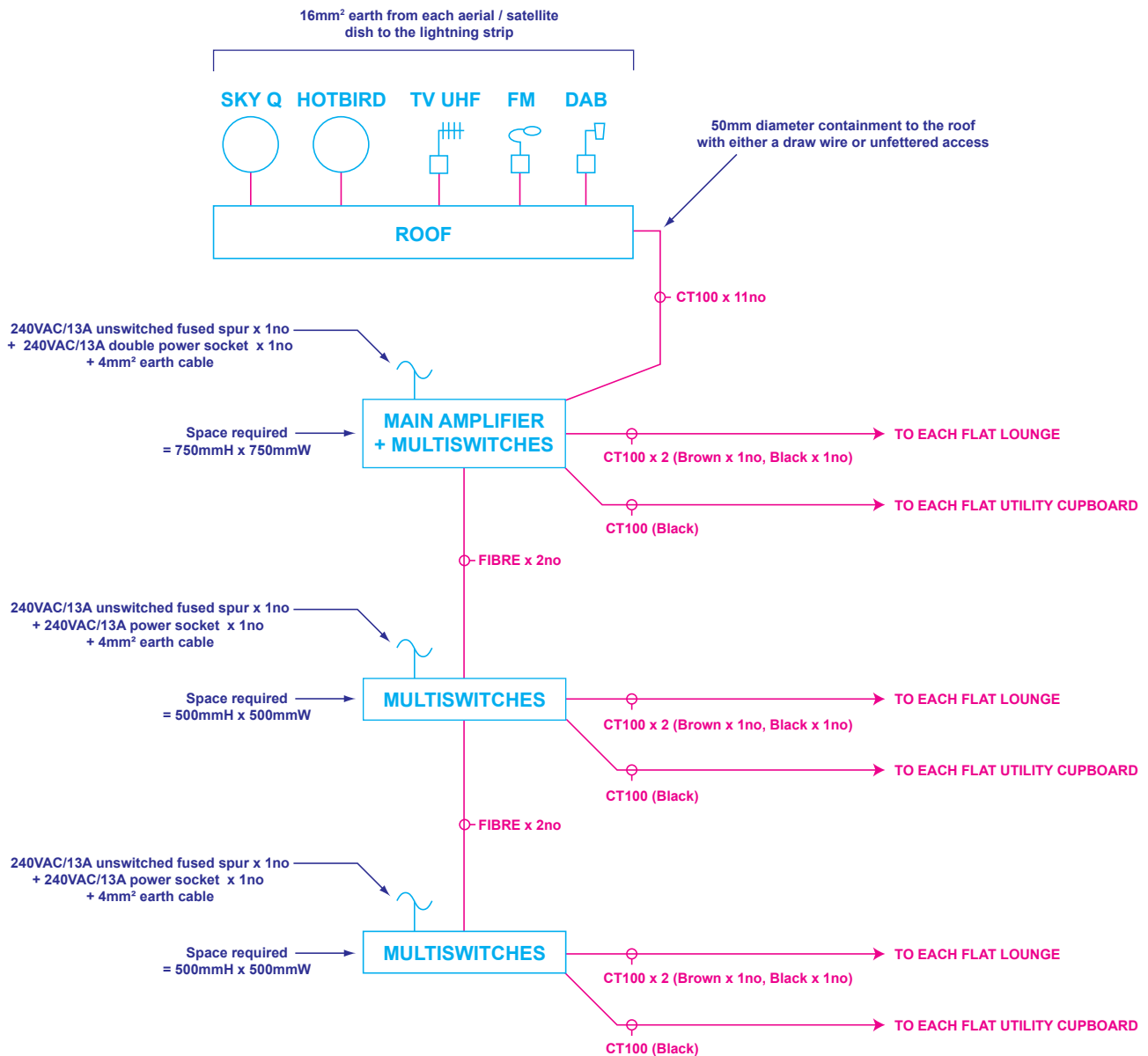
Maximum distance to flat from riser = 50 metres.

CT100 / WF100 cable must be CAI Approved.

T N° 17212

Specification will state which flat tenure types are to receive (1) Sky Q only (2) Sky Q and the 2nd SAT dish.

**FOR BLOCKS 8no LEVELS AND HIGHER**



**IMPORTANT**

Each multiswitch location (in the riser) will service 3 floors of flats.

Always leave sufficient slack on the cables from each flat to go up/down a minimum of 2no riser floor levels.

Maximum distance to flat from riser = 50 metres.

CT100 / WF100 cable must be CAI Approved.

Fibre = Global Invacom G657A single mode pre-terminated armoured fibre cable.